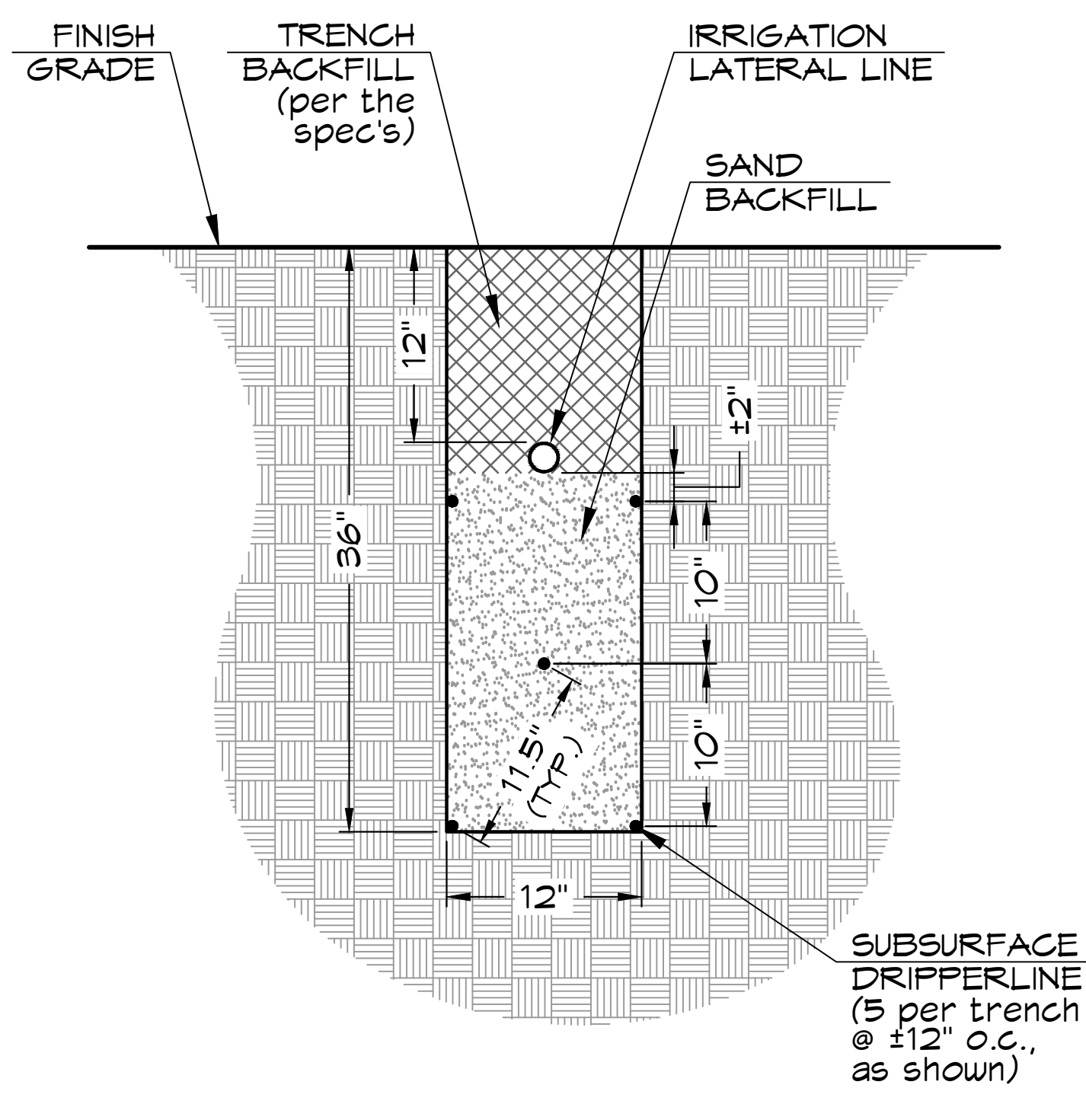
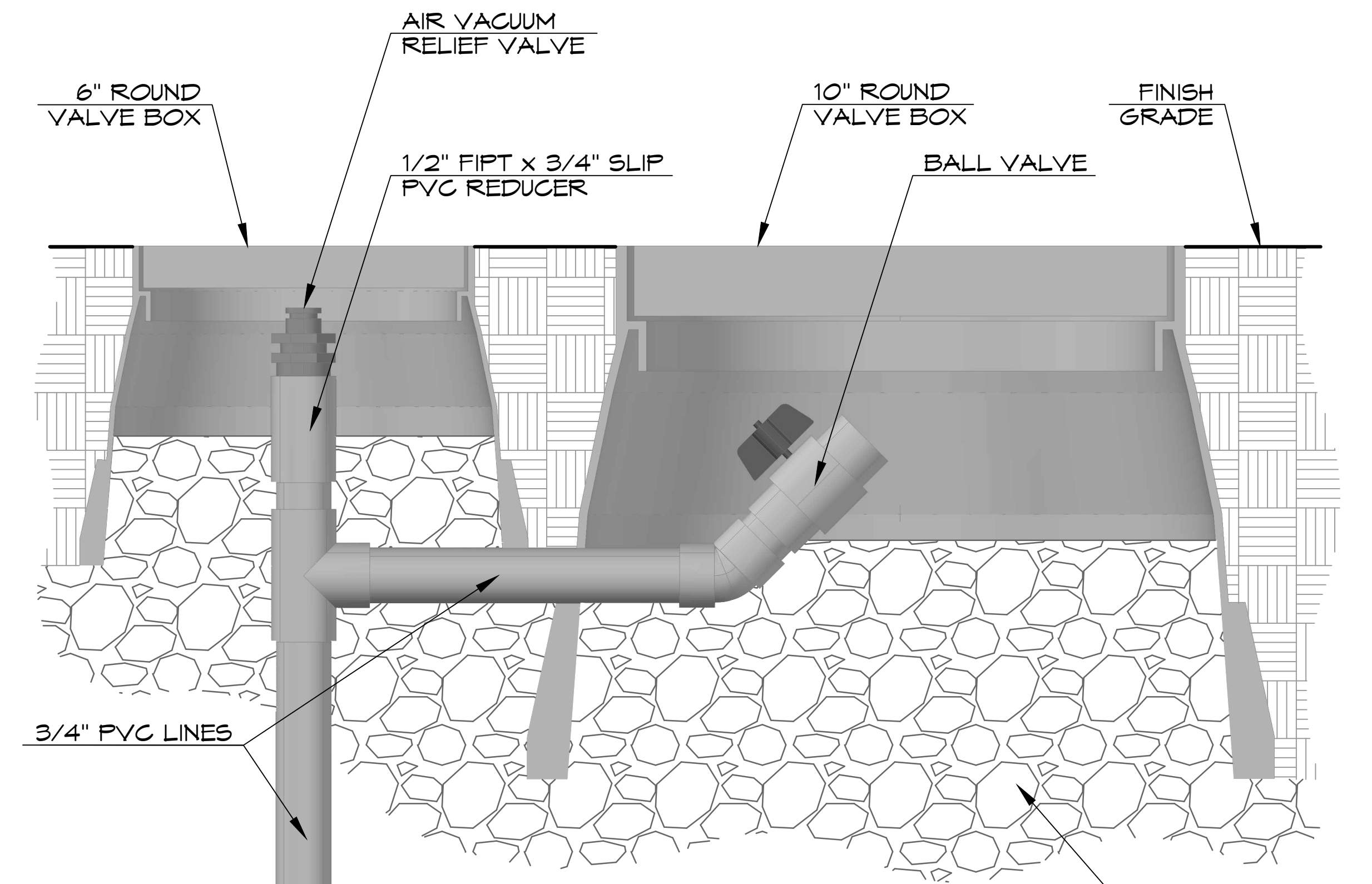


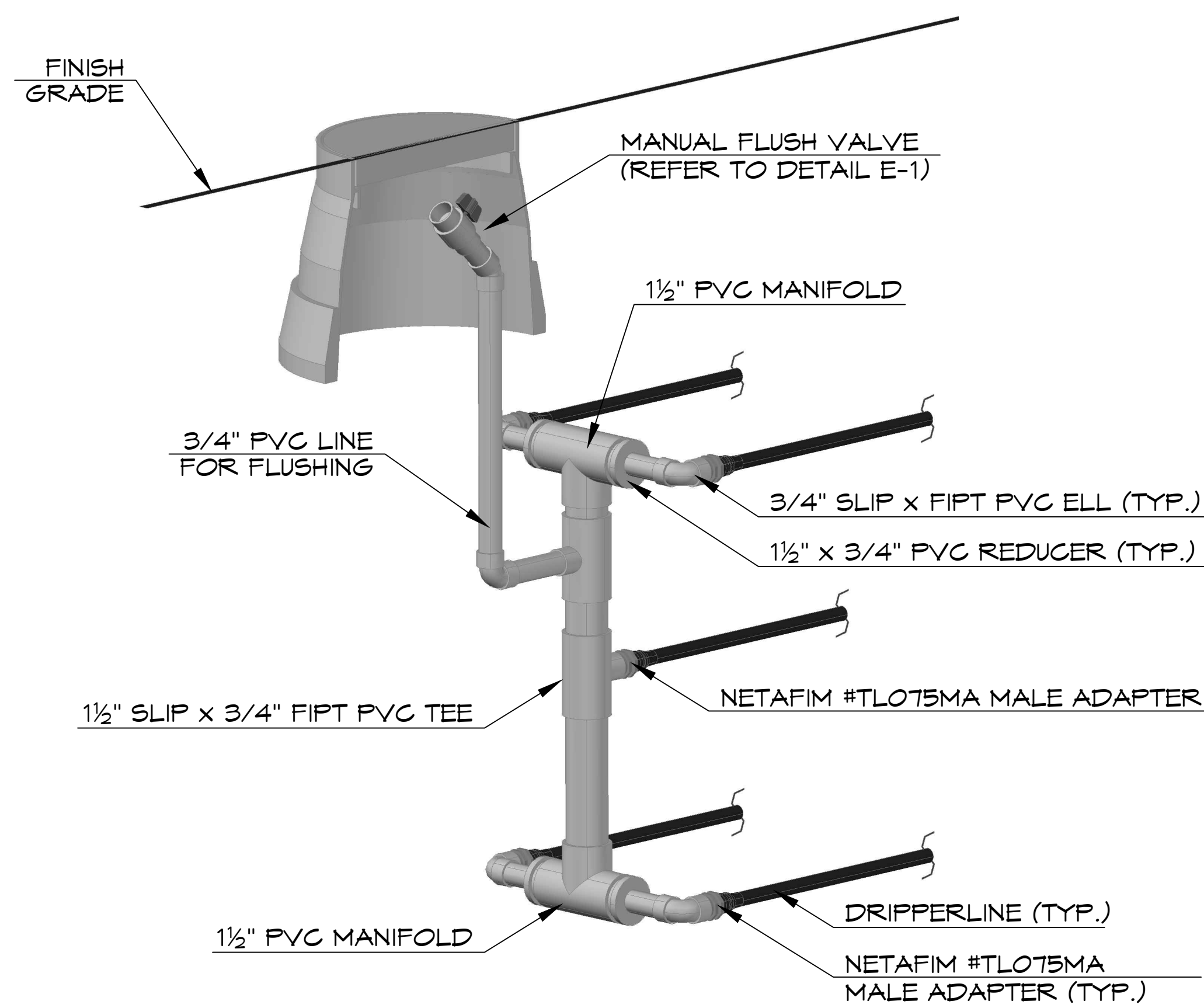
**E-1** MANUAL FLUSH VALVE  
for EFFLUENT DISPOSAL DRIPPERLINE  
SCALE: 1/2" = 1"  
6/5/04



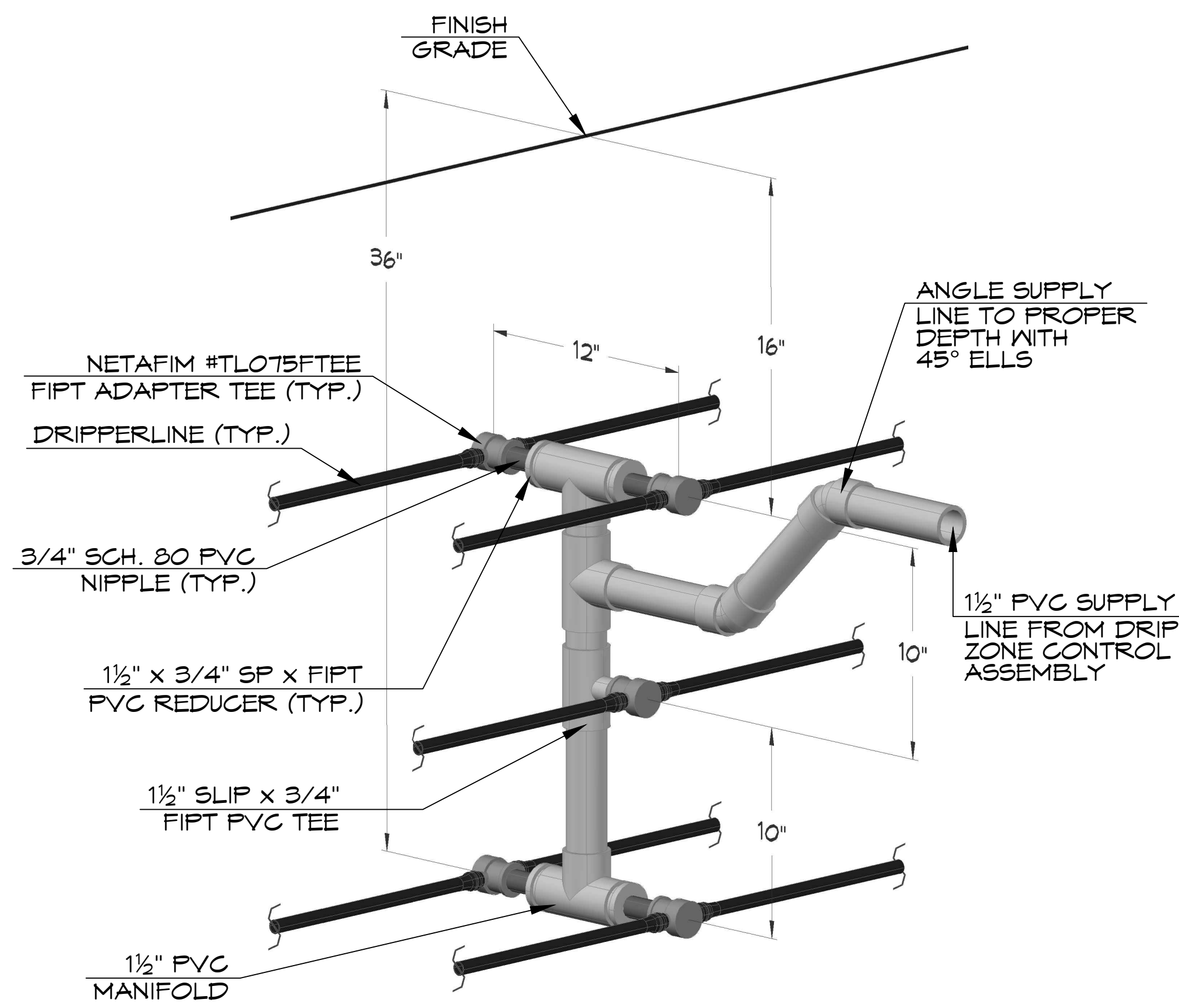
**E-2** SUBSURFACE DRIPPERLINE LAYOUT  
for EFFLUENT DISPOSAL  
NO SCALE  
6/5/04



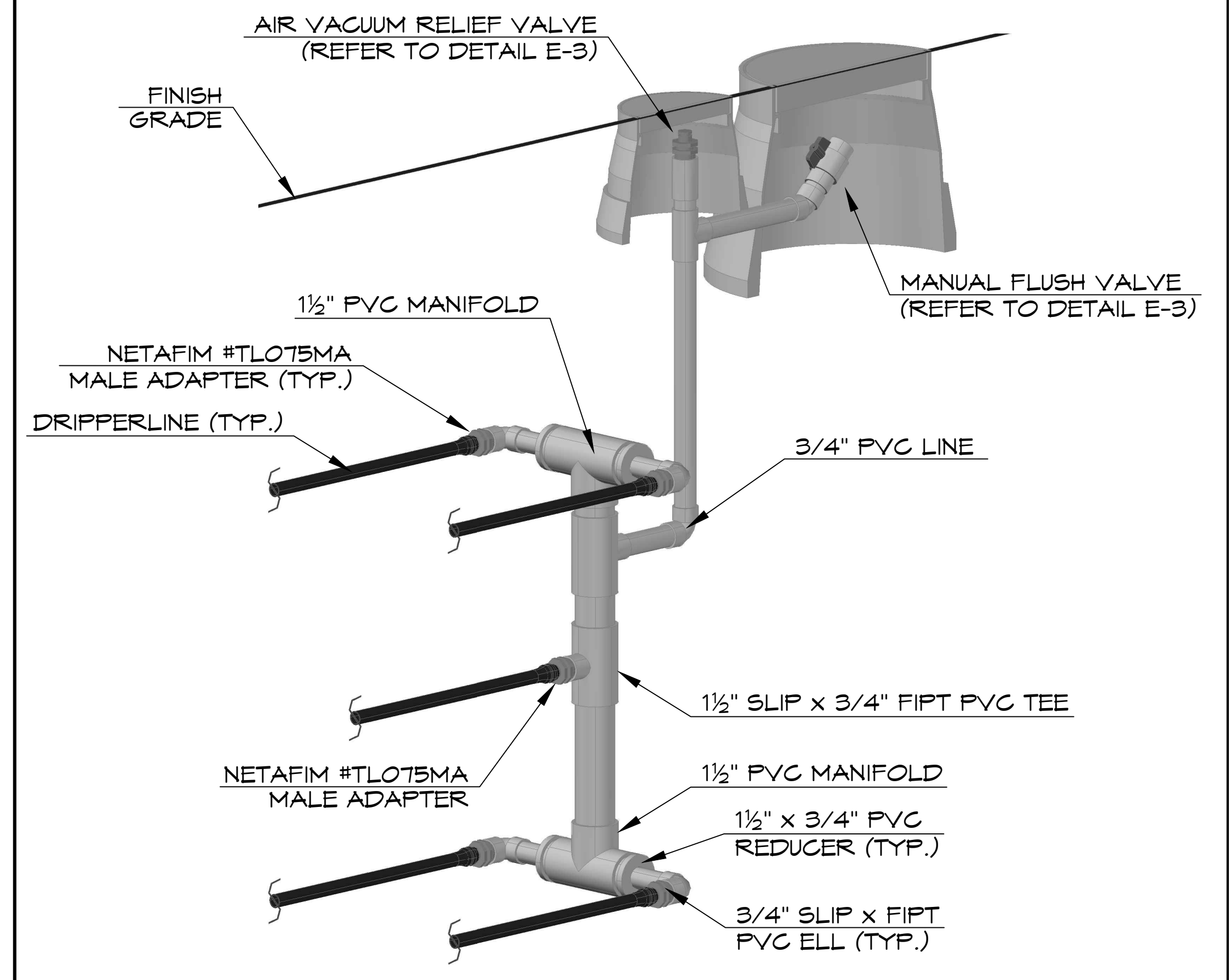
**E-3** AIR VACUUM RELIEF VALVE  
& MANUAL FLUSH VALVE  
SCALE: 1/2" = 1"  
6/5/04



**E-4** EXHAUST MANIFOLD with  
MANUAL FLUSH VALVE  
NO SCALE  
6/5/04



**E-5** CENTER-FEED SUPPLY MANIFOLD  
for EFFLUENT DISPOSAL DRIPPERLINE  
NO SCALE  
6/5/04



**E-6** EXHAUST MANIFOLD with AIR  
RELIEF & MANUAL FLUSH VALVES  
NO SCALE  
6/5/04