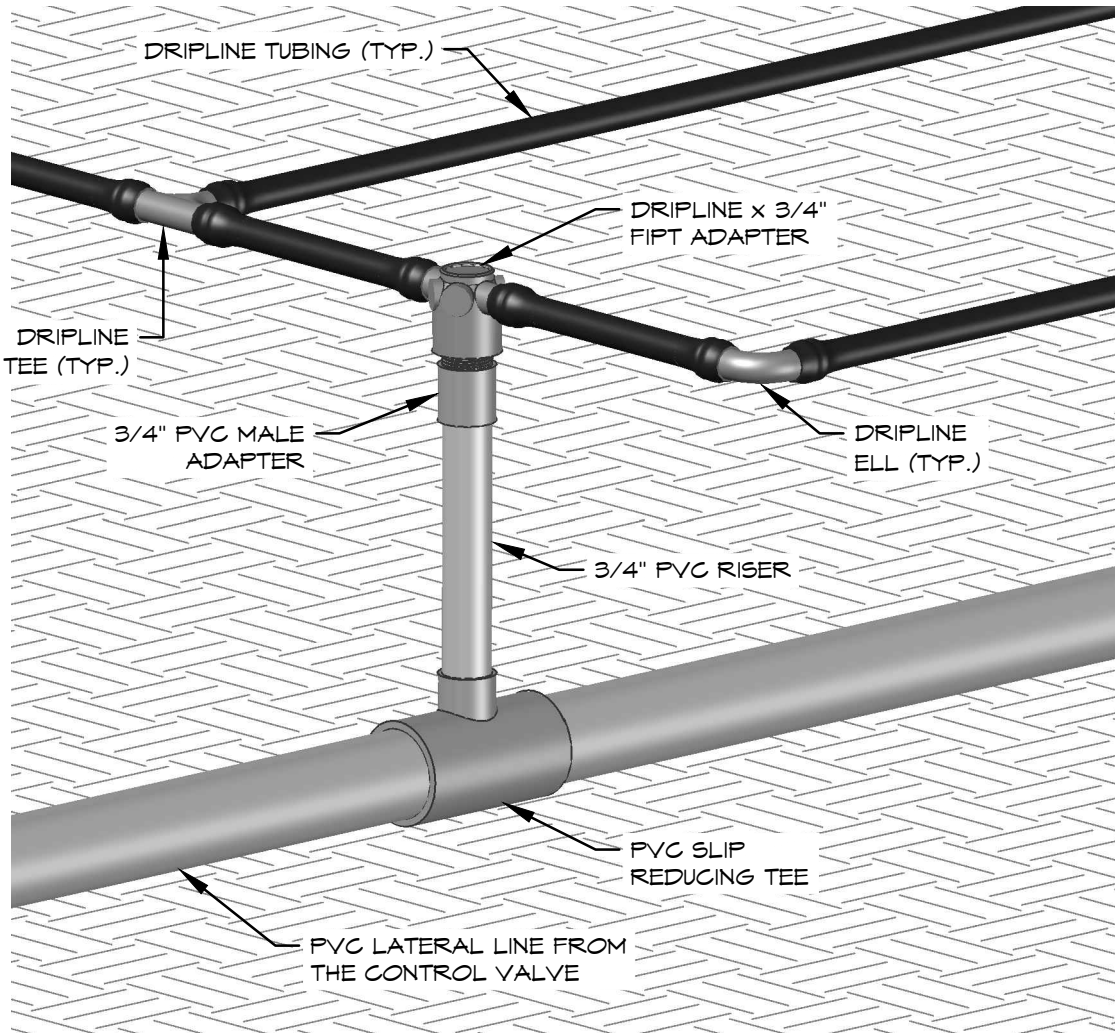


- NOTES:
1. LATERAL LINE DEPTH SHALL BE AS SPECIFIED ON THE TRENCHING DETAIL.
 2. FILL RISER HEIGHT SHALL BE AS NEEDED TO ACHIEVE THE DRIPLINE TUBING DEPTH SPECIFIED IN THE LEGEND.



H-2

SUB-SURFACE DRIPLINE "EDGE FEED" FILL RISER

H-02 (0.75")

10/12/17

© 2016 WATER RIGHT DESIGN